

Dedicated to People Flow™

KONE

Hydraulic Performance and Safety Upgrades

Hydraulic Elevators and the Unseen Risk

Hydraulic Elevator Cylinder Upgrades

The operation of a hydraulic elevator is a simple process that occurs repeatedly during its life cycle. However, there may be a problem lying hidden beneath the ground.

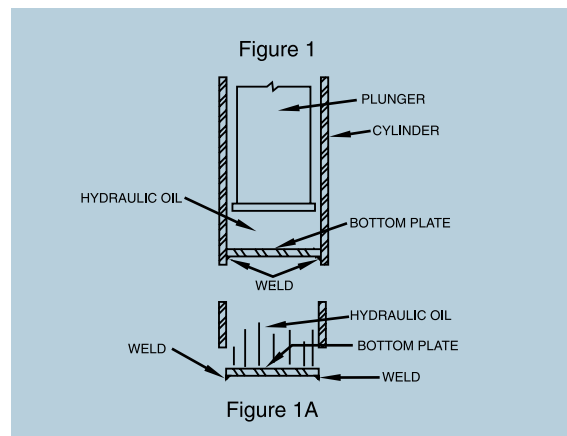
Corrosion and electrolysis can cause damage to your underground hydraulic cylinder, leading to leaks and ultimately even a failure of cylinder integrity. This creates an unsafe condition, with

an uncontrolled descent of the elevator cab due to the catastrophic loss of hydraulic oil from the system, also resulting in environmental contamination.

KONE can help increase your sense of security regarding this issue. Contact your KONE representative to help identify if your elevator has a single-bottom cylinder and for further information on upgrading to a double-bottom cylinder.

Outdated single-bottom cylinder design (Figure 1)

The single-bottom cylinder design was the industry standard and met all codes prior to 1971. However, this type of design allows the possibility of failure should the bottom plate rupture (Figure 1A). Corrosion and electrolysis can result in failure of the bottom plate, whereby oil suddenly escapes into the ground and the elevator descends uncontrollably.



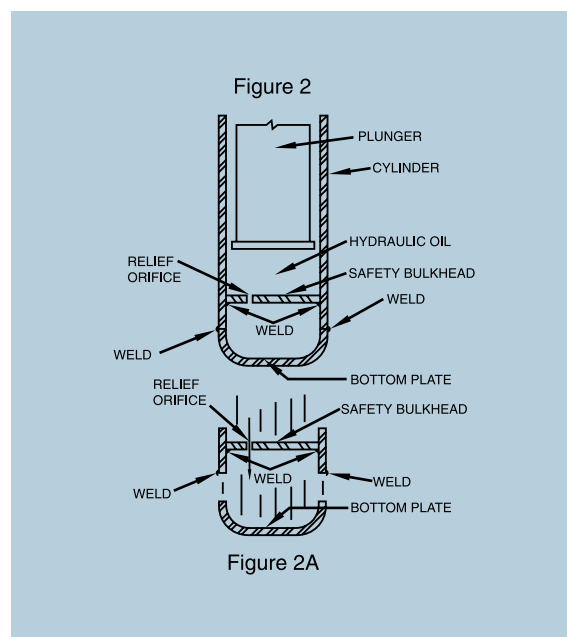
Double-bottom cylinder design (Figure 2)

The double-bottom design became the industry standard in 1971 to protect against failure of the bottom plate. This new cylinder design features a bottom plate plus an additional safety bulkhead inside the cylinder equipped with a small relief orifice. The orifice is designed to only allow a small amount of oil to slowly escape, thus limiting the speed of the elevator's descent in the event of a rupture of the bottom plate. The result is a more secure mode of transportation for passengers.

PVC casing

Code requires that you install the double-bottomed cylinder with a PVC (Polyvinyl Chloride) casing. This PVC liner surrounds the entire cylinder in the underground hole in order to prevent electrolysis and other causes of corrosion, providing additional protection for your investment.

(See ANSI code requirements.)



Why should I upgrade?

Upgrading your hydraulic elevator equipment can provide the following benefits:

- Increased safety
- Reduced liability
- Fewer service interruptions
- Optimized availability
- Decreased operating expenses
- Energy savings and efficiency
- Improved ride quality
- Better leveling
- Quieter operation
- Parts availability
- Code compliance
- ADA compliance

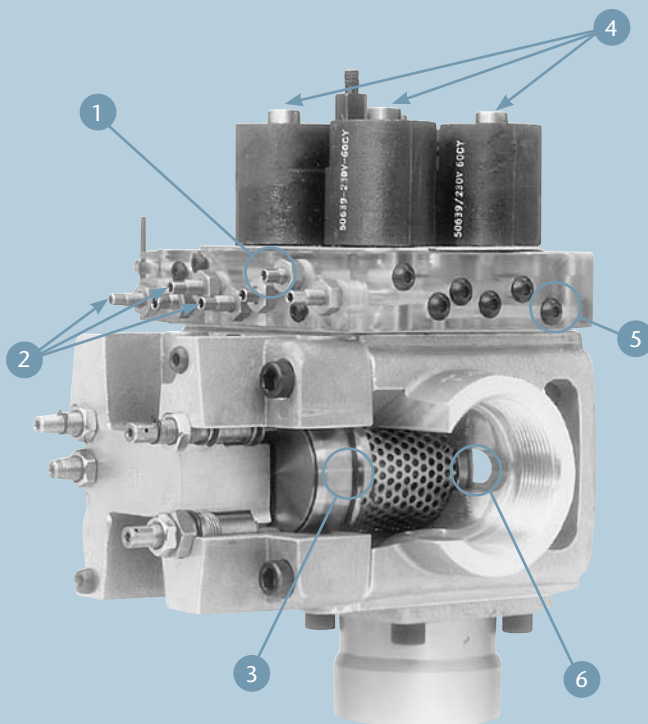
KONE Hydraulic Elevator Upgrade

- Does your hydraulic elevator make occasional (or frequent) rough starts and/or stops?
- Do you experience inaccurate leveling in either the Up or Down direction?
- Are you experiencing increased downtime due to required repairs of your existing valve?
- Does your valve frequently need to be readjusted?
- Have you been told that parts are no longer available or hard to find because your equipment is obsolete?
- Are you concerned that your elevator does not meet the latest safety and ADA codes?

If you find yourself saying yes to some or all of these questions...it is no doubt time to consider a **KONE Hydraulic Elevator Upgrade**.

Such upgrades from KONE can decrease or even eliminate the problems which forced you to answer yes. Smoother operation, improved two-way leveling, minimized downtime and a current inventory of parts are all valuable benefits immediately available with an upgrade. This will also help you meet code and current ADA requirements and can help reduce your operating expenses.

Hydraulic Valve Upgrade



1. Externally accessible pilot oil flow strainers are quick and easy to service. This reduces downtime if contaminants in the oil enter the valve.
2. Pilot oil rate adjusters are individualized and easily accessible to provide for quick and easy adjustments to achieve the highest quality ride.
3. Bi-directional fail-safe operation means that the failure of a seal on either piston would cause the elevator to stall in the direction of travel controlled by that piston. This prevents the car from slowly dropping into the pit.
4. Patented high-efficiency solenoids will continue to operate with up to a 30% voltage drop ensuring proper leveling even during power "brown outs."
5. A specially designed and patented up leveling speed regulator provides accurate stall-proof performance and smoother operation.
6. Each valve is provided with replaceable main valve seats, eliminating the need for lengthy and costly repairs.

Hydraulic System Upgrades

1. Tank Heater

Keeps the hydraulic oil warm to prevent rough starts and stops, which occur when the hydraulic oil is cold.

2. Oil Cooler

A device to keep the oil from overheating and causing malfunctions of valve operation or shutdowns. Ideal for a high-use elevator or if the machine room is small or warm.

3. RSQ Pak

When a power interruption occurs, the RSQ Pak will provide sufficient power to gently lower the elevator to the lowest floor and open the doors automatically so passengers may exit the elevator without assistance.

4. Low Oil Detector

This device is mounted inside the hydraulic tank to monitor the oil level. It is designed to shut the motor off if the oil drops below operating level, preventing cavitation and possible damage to the motor.

5. Controller

The solid-state controller provides a higher dependency rate and will meet the most recent safety codes for fire control, ADA requirements and other elevator functionality that is standard on new installations.

6. Machine Room Door

Code requires all elevator machine rooms to be equipped with a self-closing and self-locking door.

7. Scavenger Pump

A Scavenger Pump, also known as an oil return pump, returns the overflow of oil from the cylinder head back to the pump unit, rather than allowing it to collect in a drip pan in the elevator pit.

8. Valve

A new precision fabricated valve provides smoother operation and ride, dependable two-way leveling and minimized downtime.

9. Double-bottom Cylinder

An underground metal cylinder which houses pressurized hydraulic oil causes the plunger or piston to rise, pushing the elevator up from the bottom.

10. Machine Room Ventilation

Machine rooms must be ventilated and kept at a recommended room temperature of 65-90 degrees Fahrenheit to allow the controls and oil temp to operate properly.

11. Soft Starter

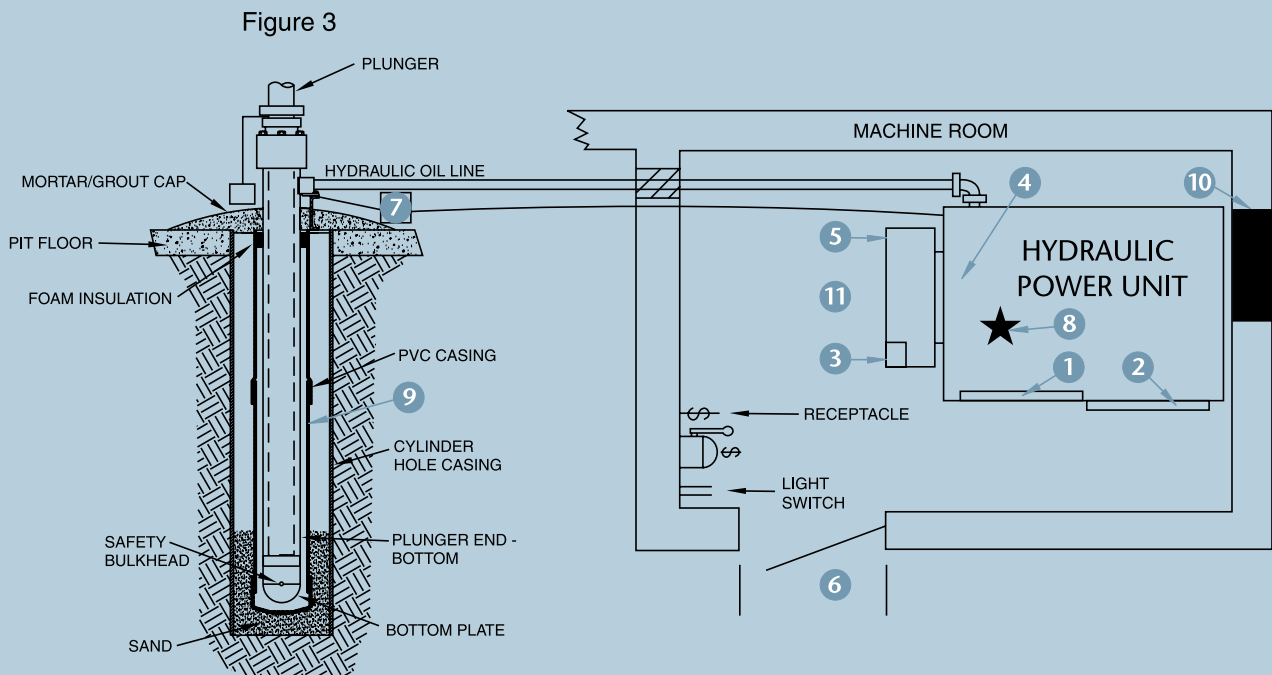
Replaces the existing, obsolete mechanical starter and provides potential energy savings by changing the amount of energy used based on the load, while keeping the motor at the same speed. Also adds phase and voltage protection to major components, which prevents burnout and enhances the motor life.

Additional upgrade options are also available. Contact your local KONE Sales Representative for further information.

- 1. Tank Heater
- 2. Oil Cooler
- 3. RSQ Pak
- 4. Low Oil Timer

- 5. Controller
- 6. Machine Room Door
- 7. Scavenger Pump
- 8. Valve
- 9. Double-bottom Cylinder

- 10. Machine Room Ventilation
- 11. Soft Starter



ANSI Code Regulations

ANSI Code requires a safety bulkhead found in double-bottom designs. The Maintenance, Repair and Replacement section of A17.1 affects existing elevators. Code states:

8.6.5.8 Safety Bulkhead

Hydraulic cylinders installed below ground shall conform to 3.18.3.4, or the car shall be provided with safeties conforming to 3.17.1 and guide rails, guide rail supports and fastenings conforming to 3.23.1.

3.18.3.4 Safety Bulkhead

Cylinders buried in the ground shall be provided with a safety bulkhead having an orifice of a size that would permit the car to descend at a speed not greater than 15 ft/min (0.075 m/s), nor less than 5 ft/min (0.025 m/s). A space of not less than 1 inch (25 mm) shall be left between the welds of the safety bulkhead and the cylinder head. Safety bulkheads shall conform to 3.18.3.6. A safety bulkhead shall not be required where a double cylinder is used and where both inner and outer cylinders conform to 3.18.3.





U.S. Operations Center

One KONE Court
Moline, Illinois 61265
1-800-956-KONE (5663)

Canadian Operations Centre

6696 Financial Drive, Unit 2
Mississauga, Ontario L5N 7J6
1-905-858-8383

KONE Mexico, S.A. de C.V.

Clavel 227
Colonia Atlampa
Mexico City, D.F. 06450
+52.55.1946.0100

For the latest product information
and interactive design tools, visit
www.kone.us

U.S. Offices

Alabama

Birmingham 205-944-1032
Mobile 251-661-7522

Arizona

Phoenix 623-434-3599
Tucson 520-624-3125

Arkansas

Little Rock 501-758-1889

California

Cypress 714-890-7080
Sacramento 916-372-1458
San Diego 858-578-5100
San Francisco 510-351-5141
Santa Barbara 805-349-1013

Colorado

Denver 303-792-3423

Connecticut

Hartford 860-257-9277

Delaware

856-251-1555

District of Columbia

Washington, DC 301-459-8660

Florida

Jacksonville 904-292-0225
Miami 954-437-4300
Naples 239-598-9310
Orlando 407-812-8033
Tampa 813-635-0330

Georgia

Atlanta 770-427-3373

Hawaii

Honolulu 808-836-2231

Idaho

801-977-1144

Illinois

Chicago 630-629-3100
Peoria 309-697-9011
Quad Cities 309-797-3232
Rockford 815-874-1502
Springfield 217-544-5461

Indiana

Fort Wayne 260-484-9586
Indianapolis 317-788-0061

Iowa

Des Moines 515-243-0109
Quad Cities 309-797-3232

Kansas

Wichita 316-942-1201

Kentucky

Louisville 502-491-0565

Louisiana

Baton Rouge 225-291-5270
New Orleans 504-736-0776

Maine

781-828-6355

Maryland

Baltimore 410-766-2100

Massachusetts

Boston 781-828-6355

Michigan

Detroit 734-513-6944
Grand Rapids 616-534-3300

Minnesota

Minneapolis 651-452-8062

Mississippi

Jackson 601-939-7597

Missouri

Kansas City 816-531-2140
St. Louis 314-521-8800
Springfield 417-862-1174

Montana

Helena 406-449-1399

Nebraska

Omaha 402-592-7381

Nevada

Las Vegas 702-269-0919

New Hampshire

781-828-6355

New Jersey

Warren 908-626-0220

New Mexico

Albuquerque 505-888-0626

New York

Albany 518-464-0002
New York City 718-361-7200

North Carolina

Charlotte 704-597-0430

North Dakota

651-452-8062

Ohio

Cincinnati 513-755-6195
Cleveland 440-546-1100
Columbus 614-866-1751

Oklahoma

Oklahoma City 405-682-5651
Tulsa 918-258-0582

Oregon

Portland 503-652-1011

Pennsylvania

Harrisburg 717-653-7177
Philadelphia 856-488-8830
Pittsburgh 412-279-1561

Rhode Island

781-828-6355

South Carolina

704-597-0430

South Dakota

Sioux Falls 605-336-1578

Tennessee

Knoxville 865-938-3444
Memphis 901-758-8320
Nashville 615-360-7013

Texas

Austin 512-443-0967
Dallas 469-549-0581
Houston 281-442-6619
San Antonio 210-491-0485

Utah

Salt Lake City 801-977-1144

Vermont

781-828-6355

Virginia

Richmond 804-328-1032

Washington

Seattle 425-861-9696

West Virginia

Charleston 614-866-1751
Morgantown 412-279-1561

Wisconsin

Milwaukee 262-373-0460

Wyoming

303-792-3423

Canada Offices

Alberta

Calgary 403-275-5650
Edmonton 780-452-9227

British Columbia

Vancouver 604-777-5663
Victoria 250-384-0613
Kelowna 250-491-1838

Manitoba

Winnipeg 204-895-2942

Nova Scotia

Halifax 902-450-1102

Ontario

Hamilton 905-648-3188
Kingston 613-531-6262
Ottawa 613-225-8222
Toronto 905-948-2230

Quebec

Montreal 514-284-5663
Quebec City 418-877-1494
Sherbrooke 819-821-2182

KONE is a registered trademark
of KONE Inc. Dedicated to People
Flow is a trademark of KONE Inc.

"USGBC" and related logo is a
trademark owned by the U.S.
Green Building Council and is
used by permission.

